



COMBiLiFT

C10,000 XL

Customized Handling Solution



Wider Cab for increased Operator Comfort



three machines in one

Counterbalance Forklift > Aisle Truck > Side Loader

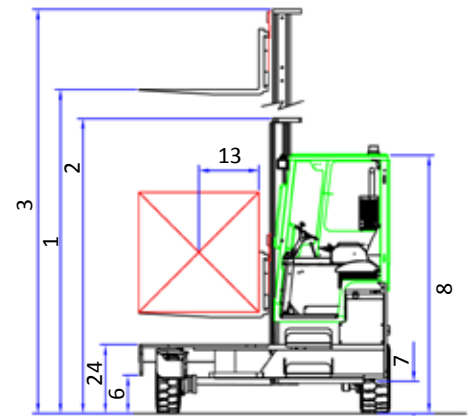
www.COMBiLiFT.com



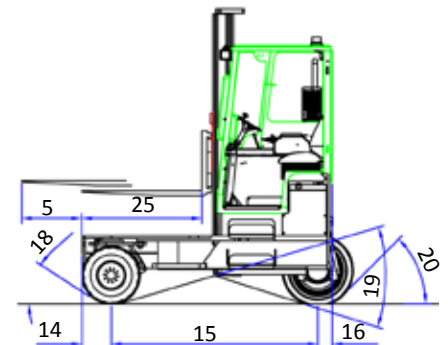
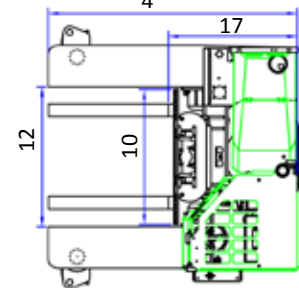
SPECIFICATIONS

MODEL C10,000 XL

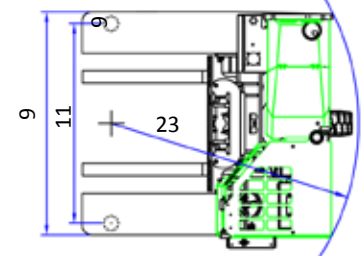
REF	DESCRIPTION	Standard
1a	Standard Lift Height	159"
1b	Free Lift Height	0"
2	Height Mast Closed	177"
3	Max. (Mast Raised)	198"
4	Overall Length	98 ½ "
5	Mast Travel	49"
6	Ground Clearance Under Mast	11"
7	Ground Clearance to Wheelbase Centre	10 ½"
8	Height Over Cab or of Overhead Guard	102"
9	Width	88"
10	Outside Spread of Fork Arms	53"
11	Track Front	79"
12	Frame Opening	55"
13	Load Centre Distance	24"
14	Overhang Front	12"
15	Wheel Base	80"
16	Overhang Back	6"
17	Length from Face of Fork	51"
18	Approach Angle	45 °
19	Ramp Angle	29 °
20	Departure Angle	45 °
21	Forward Tilt	3 °
22	Backward Tilt	5 °
23	Minimum Outside Radius	77"
24	Platform Height	26 ¾"
25	Platform Length	47 ½ "
A	Capacity	10,000lbs
B	Unladen Weight	15,000 lbs
C	Maximum Ground Speed	10mph
D	Gradeability	15%
E	Kubota V2403 T Diesel/ 3 ltr GM LPG	59HO/65HP
F	Electric's	12 Volt
G	Fork Section	8" x 1½ " x 47½ "
H	23 x 10-12 Front Tire	OD 23" / Width 10"
I	28 x 12.5 - 15 Rear Tire	OD 28"/ Width 11"
J	Standard Color	Green and Grey
K	Suspension Seat	KAB Model 116



SIDEWARD MODE



FORWARD MODE



FEATURES INCLUDE:

- Rubber Mounted Half Open Cabin
- Multi-Direction Operation
- 3 Wheel Hydrostatic Drive
- Load Sensing Steering
- 4 Way Lever Positioning of Wheels
- Hydraulic Oil Cooler

Distributed by

COMBiLiFT

Co. Monaghan
Ireland

T: +353 47 80500

F: +353 47 80501

E: info@combilift.com

www.COMBiLiFT.com